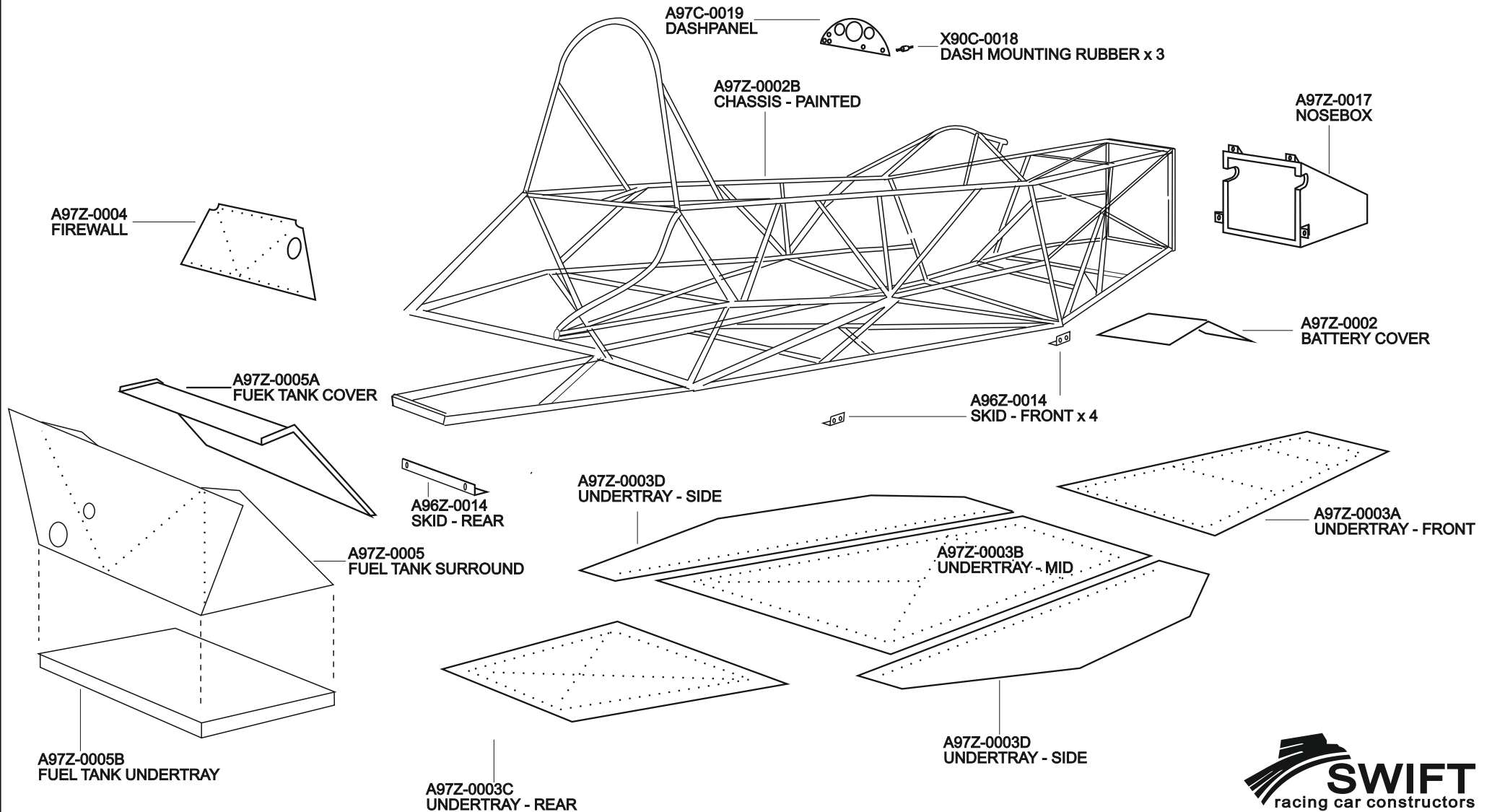
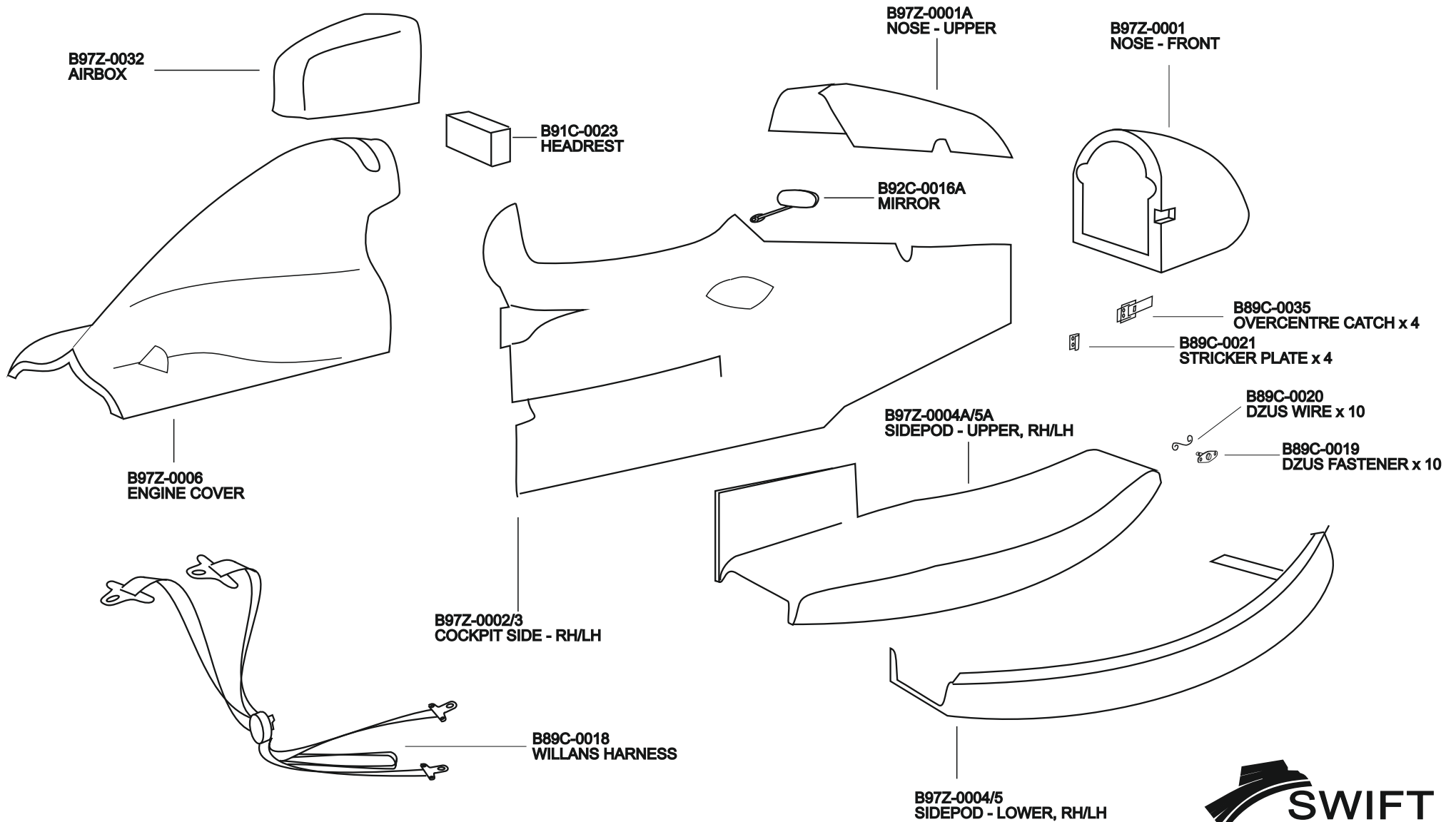


# SC97Z Formula Ford Zetec 'A' - CHASSIS components



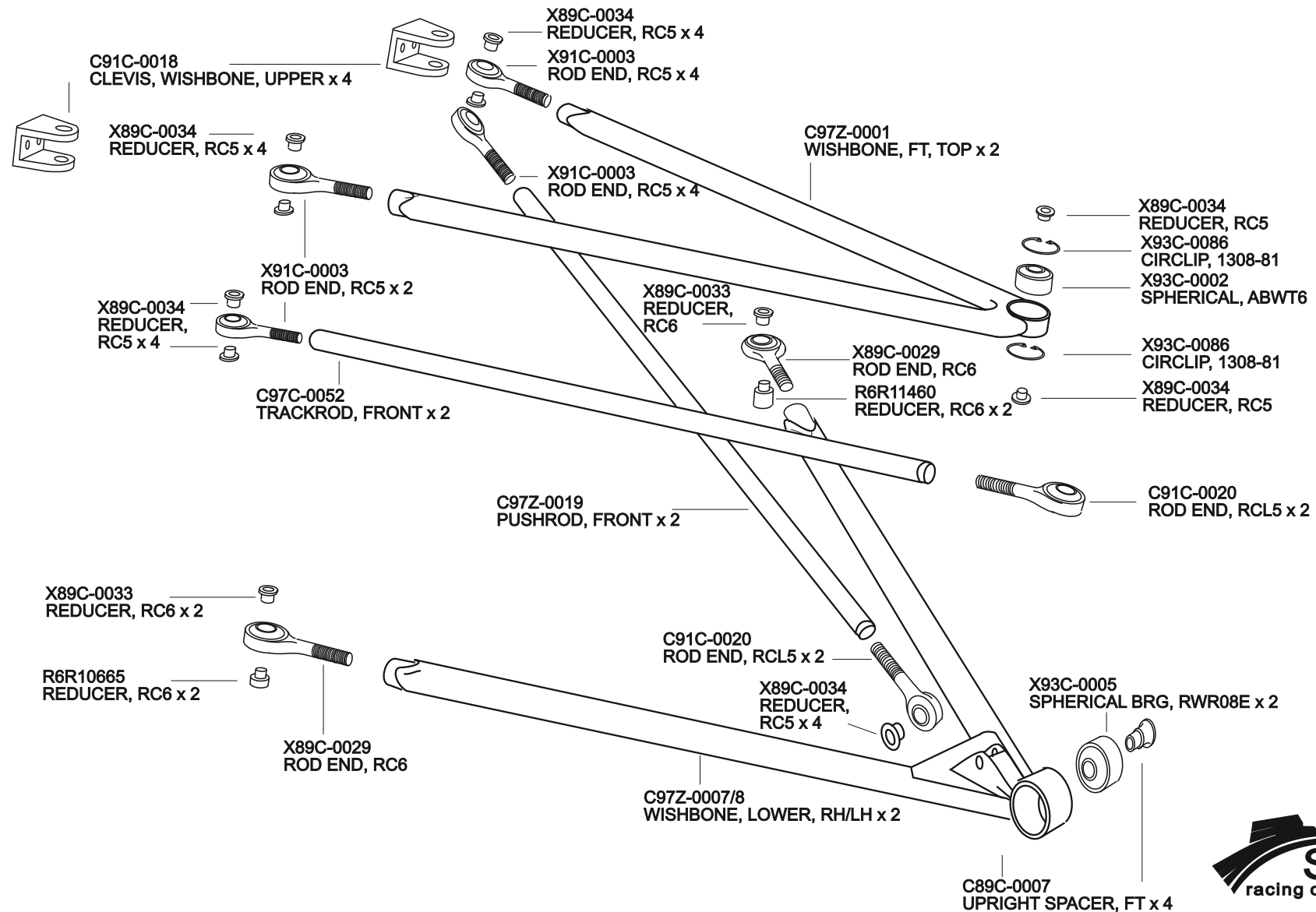
# SC97Z Formula Ford Zetec

## 'B' - BODYWORK components



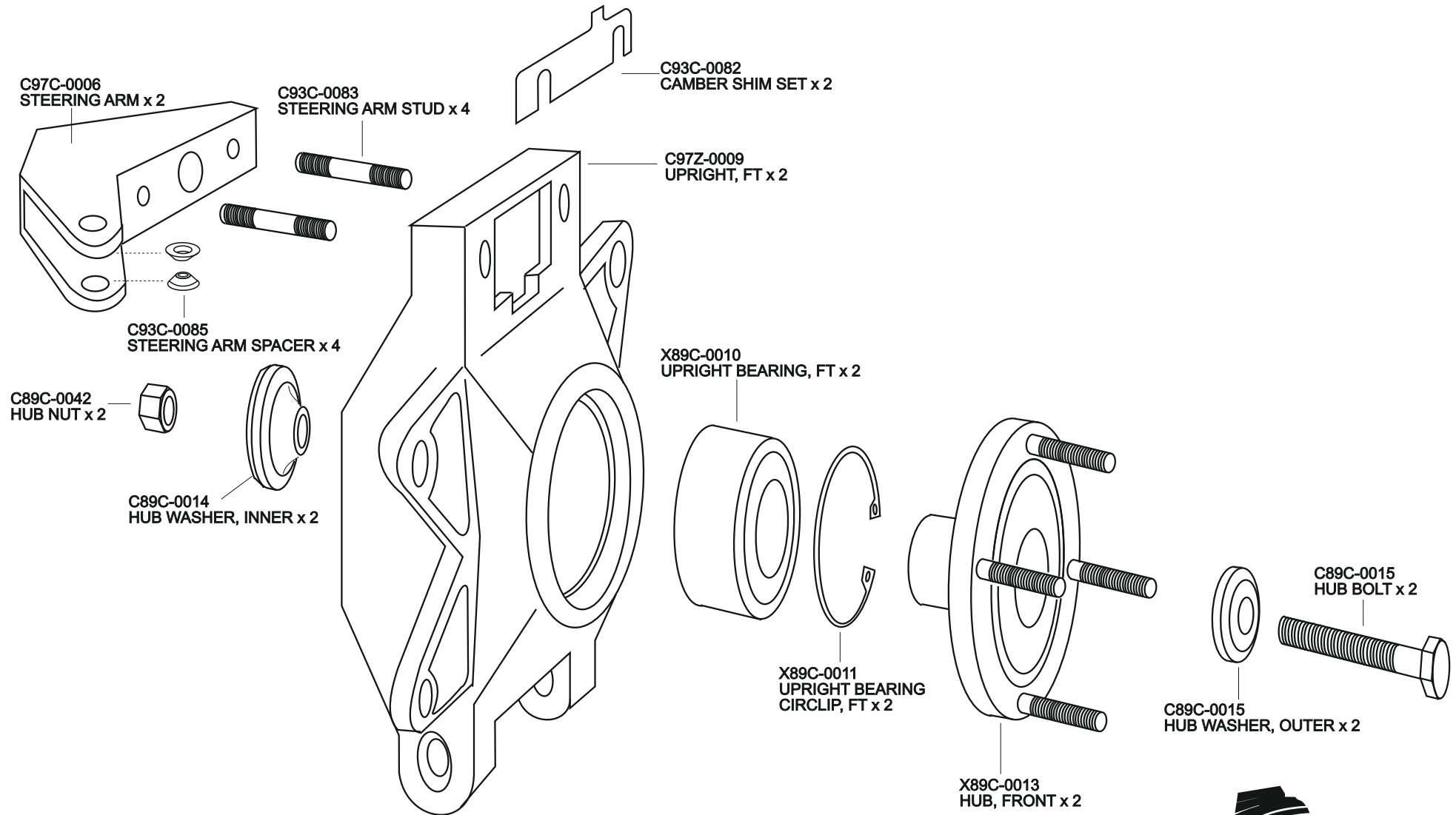
# SC97Z Formula Ford Zetec

## 'C' - FRONT SUSPENSION Components



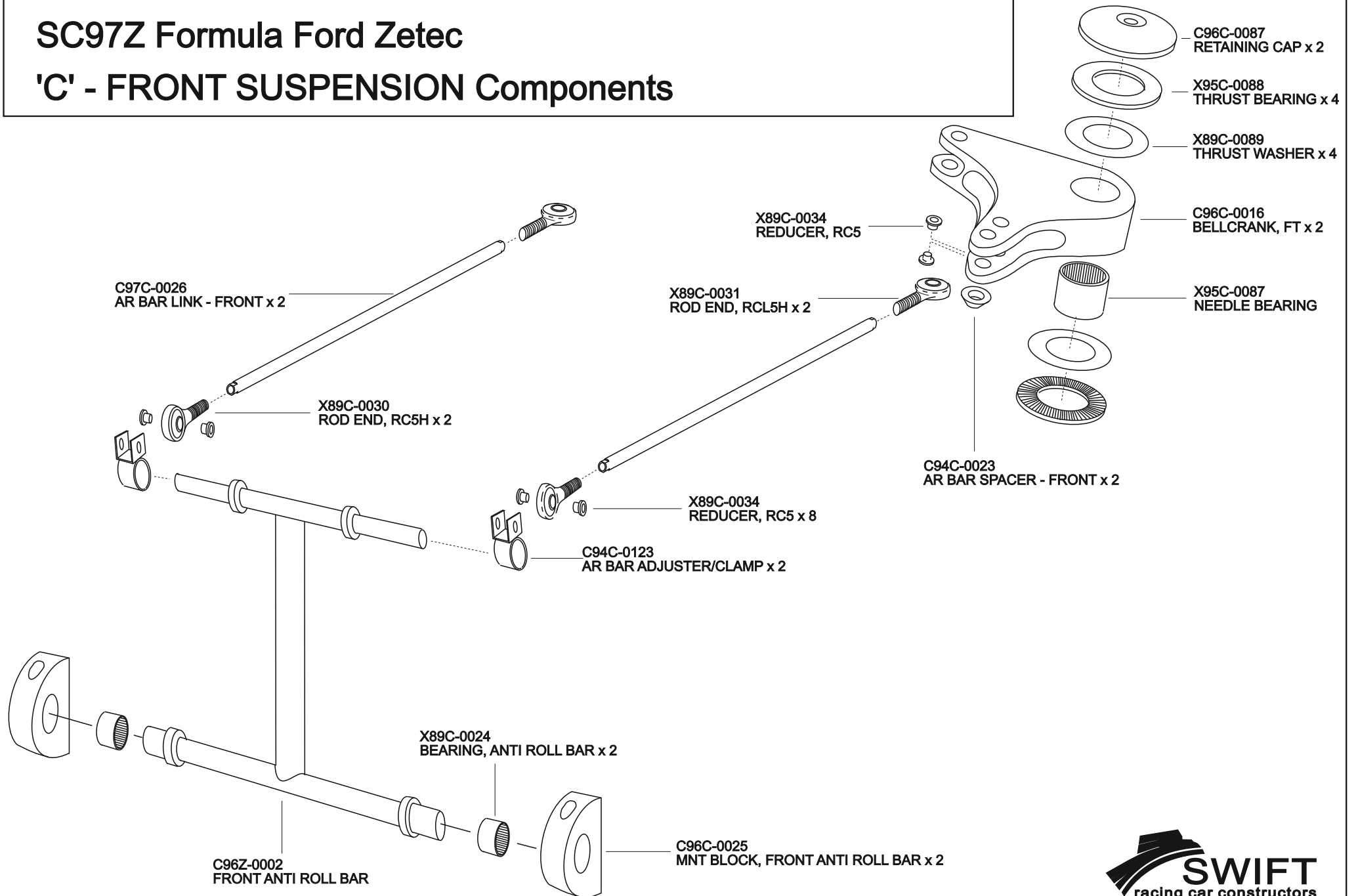
# SC97Z Formula Ford Zetec

## 'C' - FRONT UPRIGHT Components



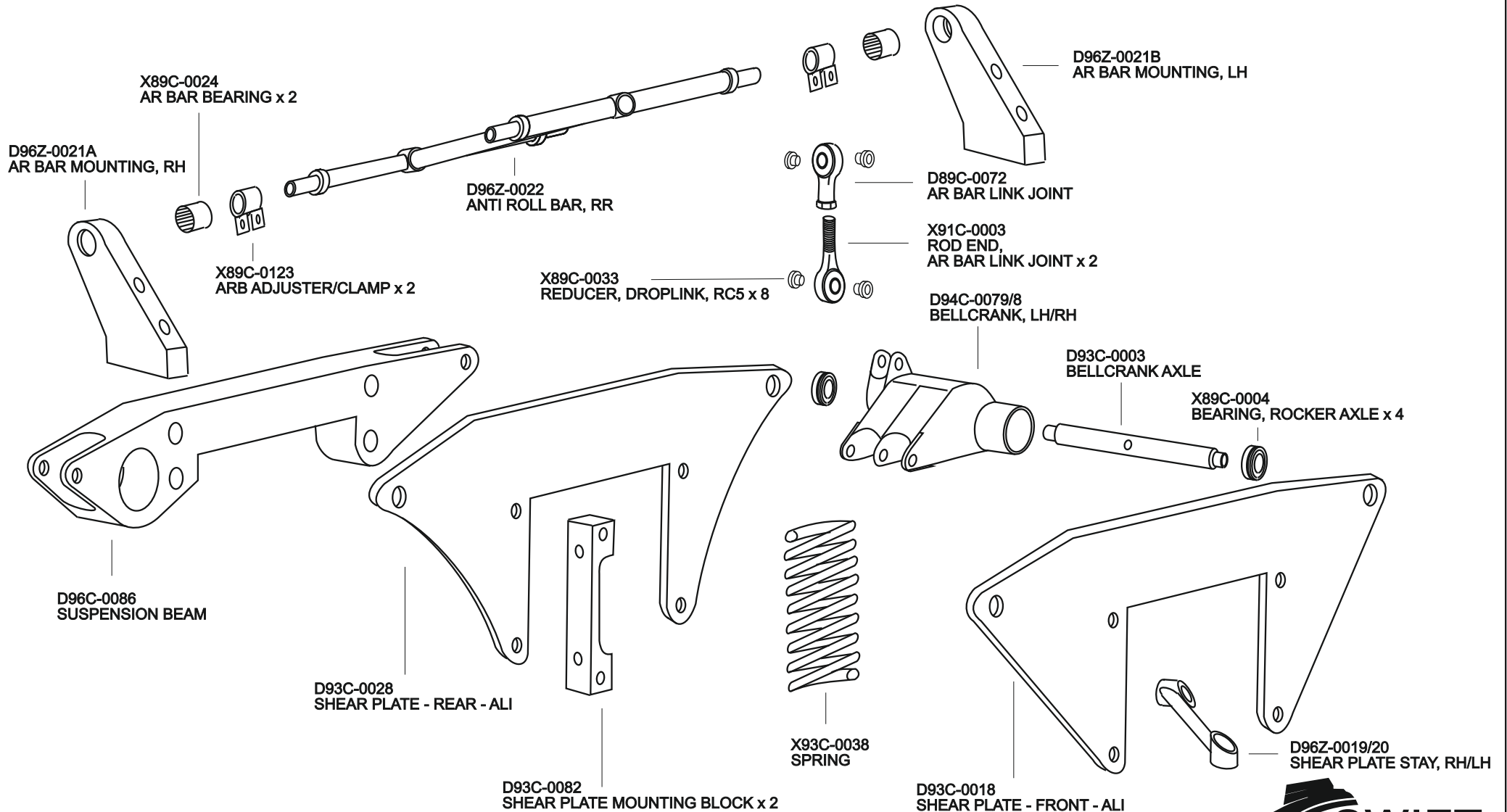
# SC97Z Formula Ford Zetec

## 'C' - FRONT SUSPENSION Components



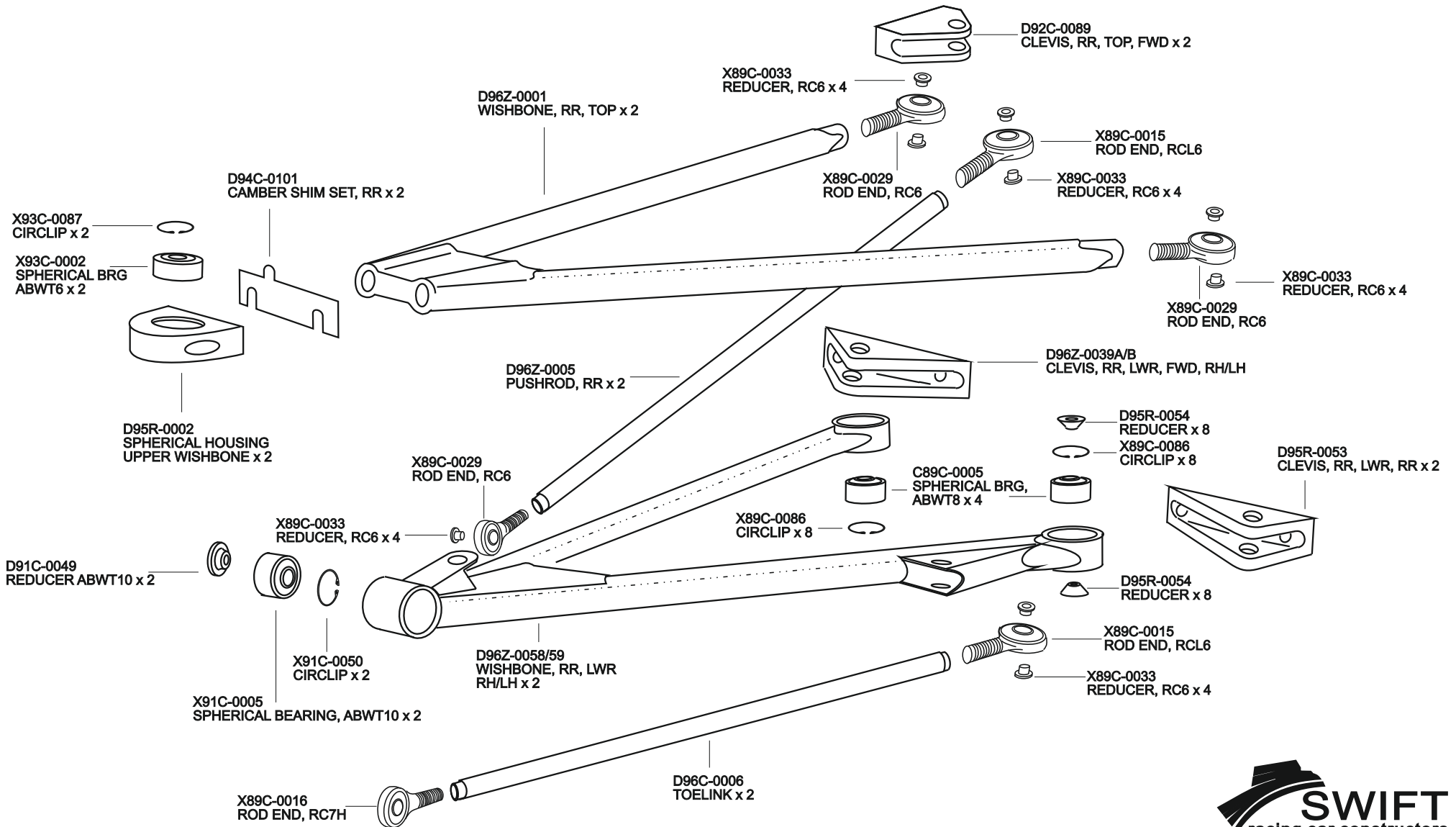
# SC97Z Formula Ford Zetec

## 'D' - REAR SUSPENSION Components



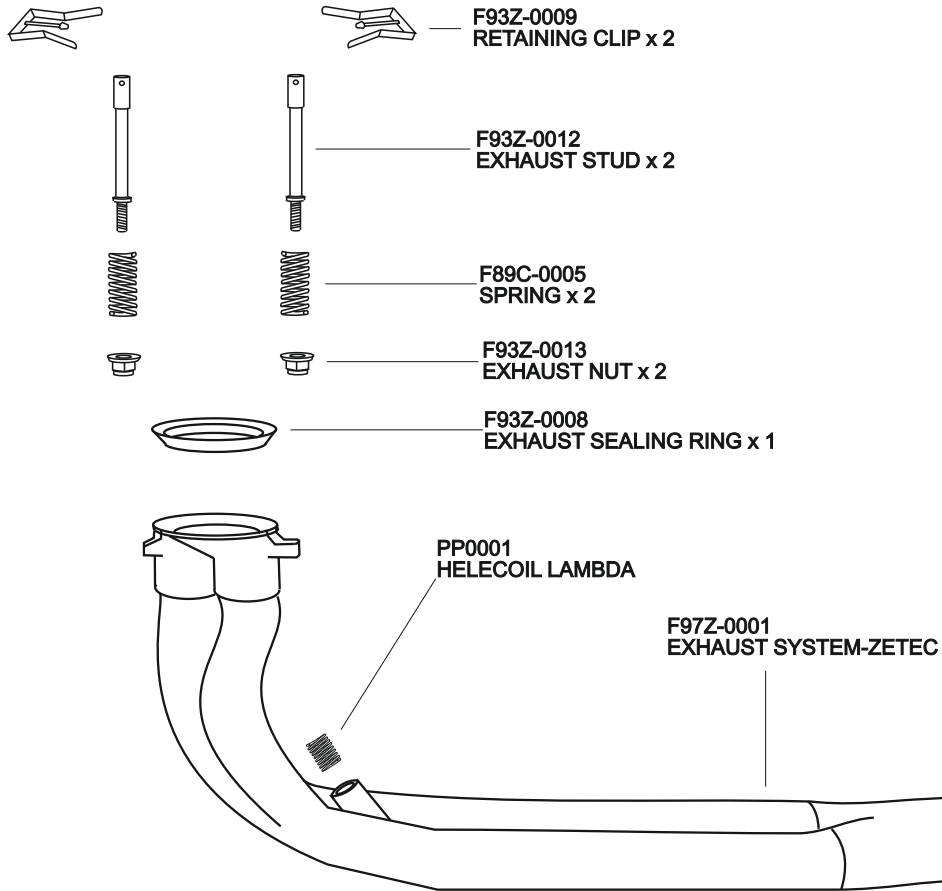
# SC97Z Formula Ford Zetec

## 'D' - REAR SUSPENSION Components

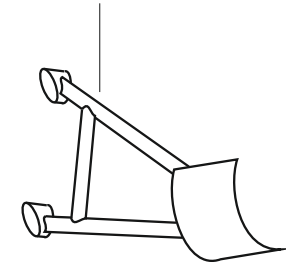


# SC97Z Formula Ford Zetec

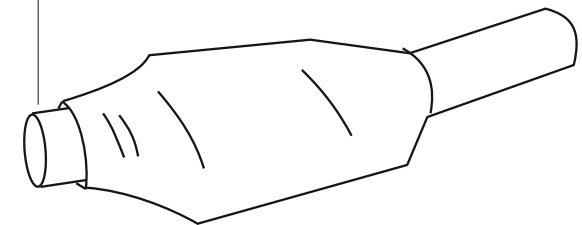
## 'F' - EXHAUST components



F97Z-0004  
EXHAUST BRACKET



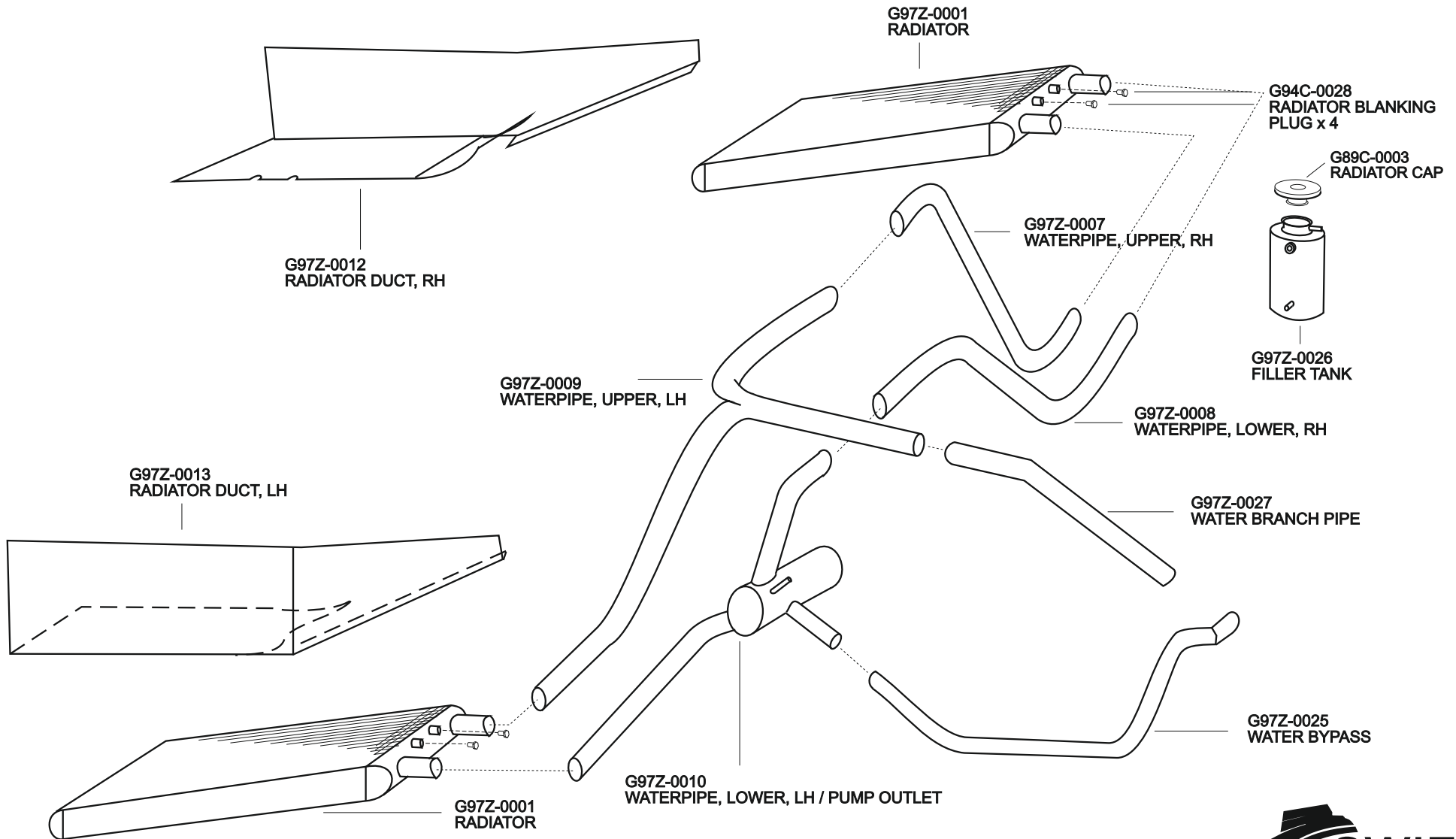
F94Z-0001A  
CATALYTIC CONVERTER





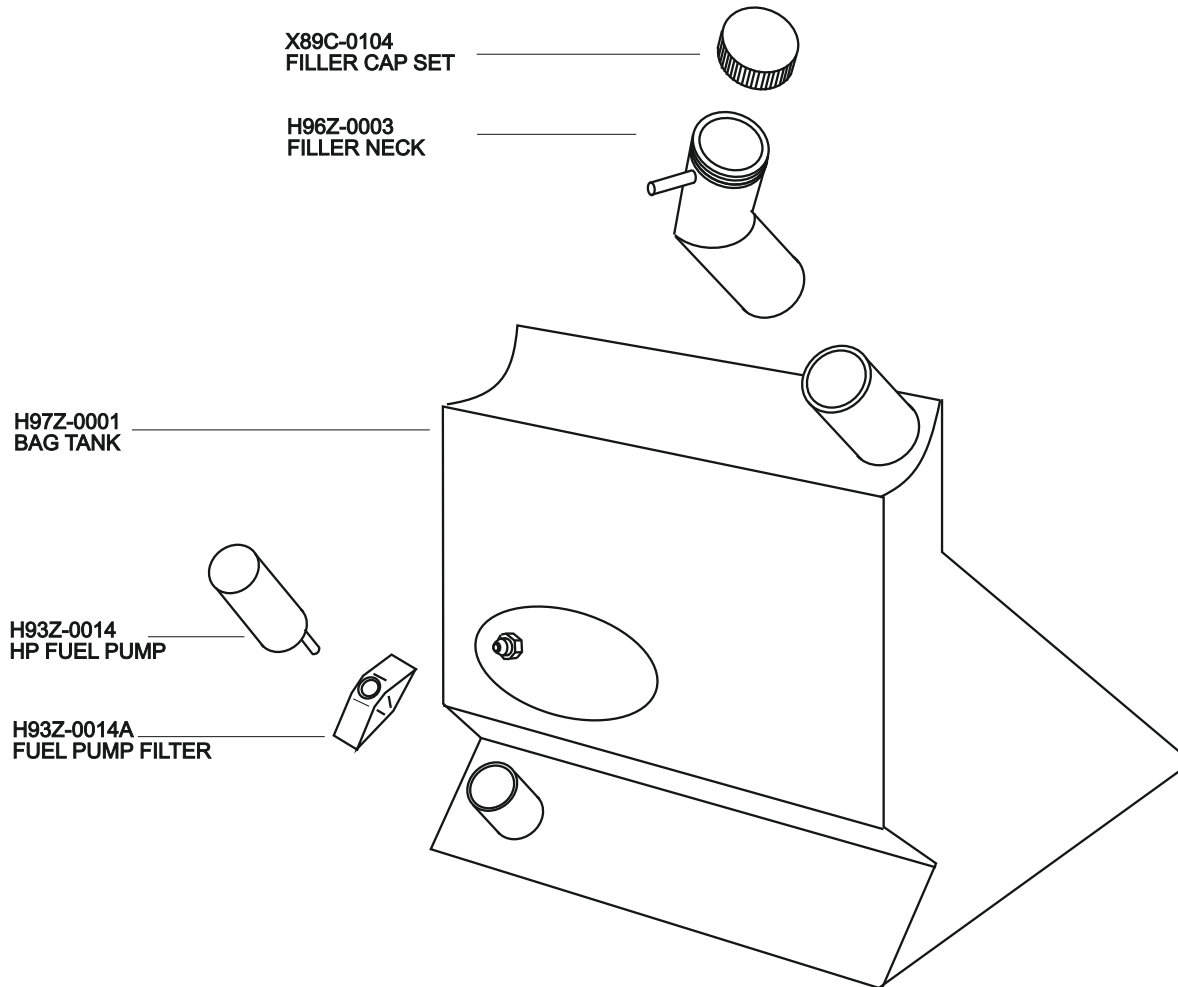
# SC97Z Formula Ford Zetec

## 'G' - WATER SYSTEM



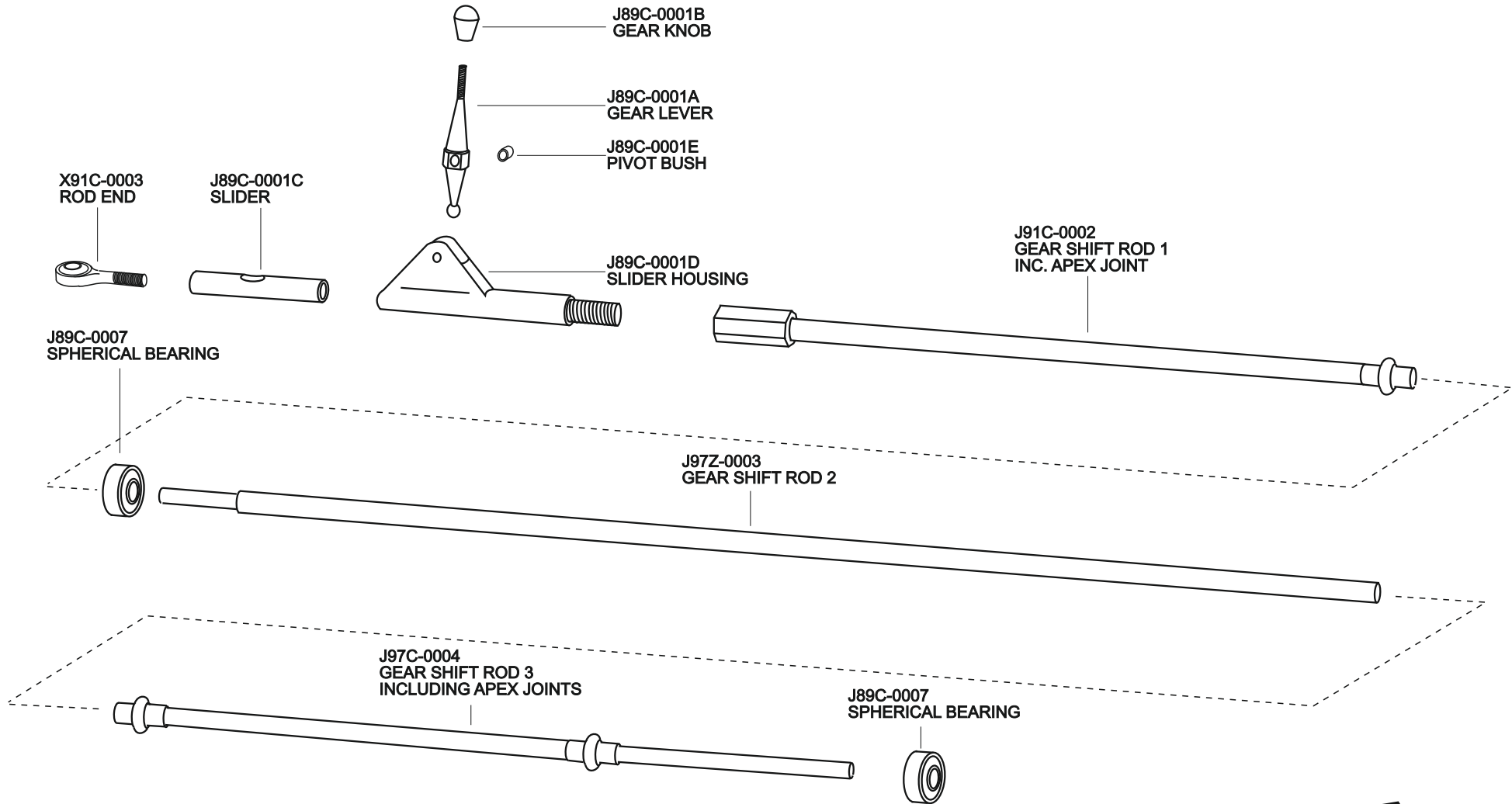
# SC97Z Formula Ford Zetec

## 'H' - FUEL SYSTEM components



# SC97Z Formula Ford Zetec

## 'J' - GEAR SHIFT components



# SC97Z Formula Ford Zetec

## 'L' - STEERING components

